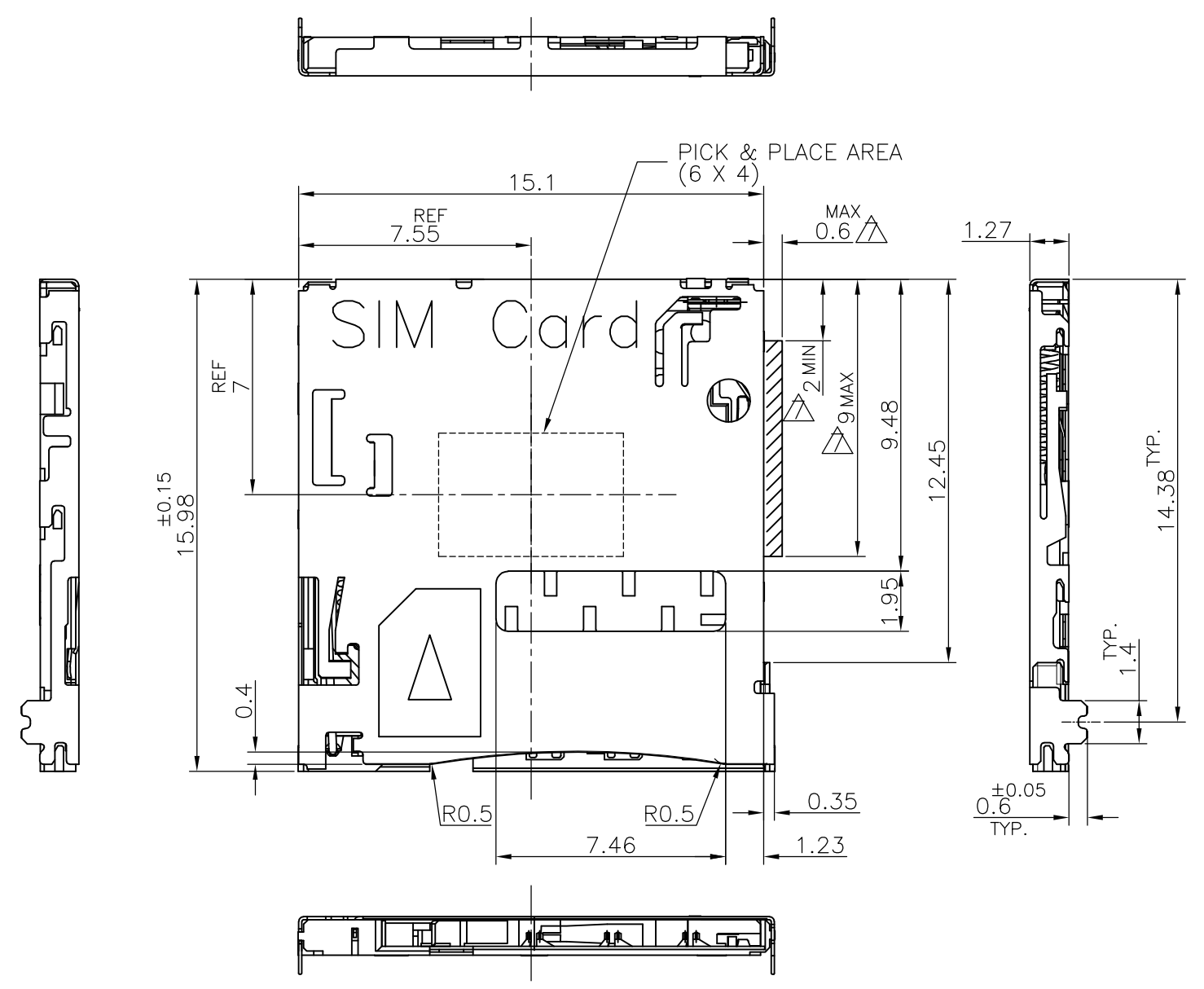


THIS DRAWING IS UNPUBLISHED. RELEASED FOR PUBLICATION JUN ,2011.
 © COPYRIGHT 2011 By Tyco Electronics Japan G.K. ALL RIGHTS RESERVED.

LOC	DIST	REVISIONS					
		P	LTR	DESCRIPTION	DATE	DWN	APVD
J	/		D	REVISED	18NOV2015	M.T	K.K



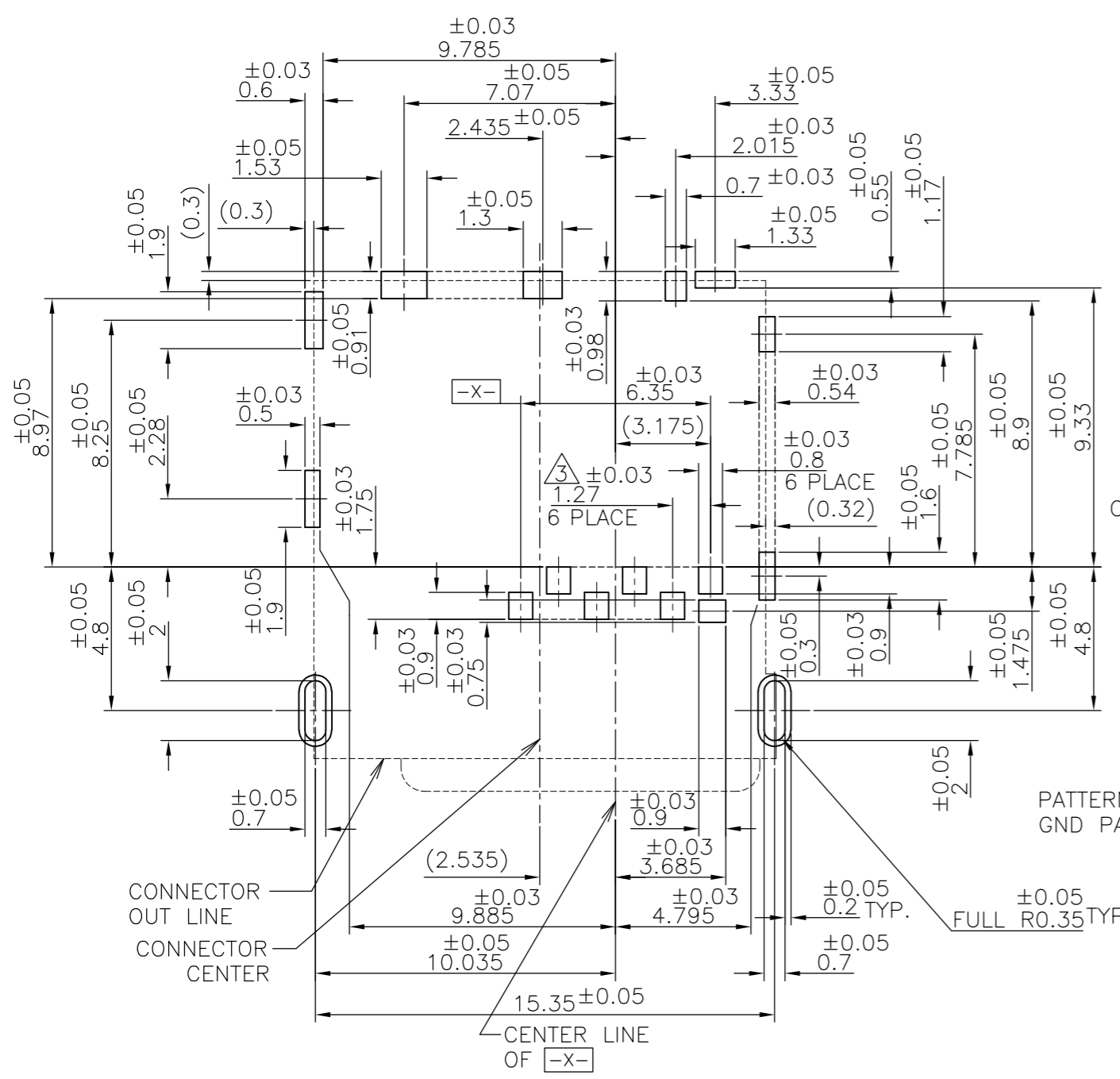
- 1.MATERIAL HOUSING,SLIDER : THERMOPLASTIC RESIN
UL94V-0, COLOR;BLACK
CONTACT : COPPER ALLOY
SHELL : STAINLESS STEEL
COIL : SWP
CAM ROD : STAINLESS STEEL
- △FINISH CONTACT : Au PL AT CONTACT AREA
Au PL AT SOLDERING AREA
SHELL : Au PL AT SOLDERING AND SWITCH AREA
- △NON-CUMULATIVE TOLERANCE
- 4. COPLANARITY IS 0.1MAX.
- △CIRCUIT DRAWING OF SWITCH.
- 6. OVERALL TOLERANCE:±0.1
- △SWITCH MOVING AREA.

△	2174803-2
FINISH	PART NUMBER

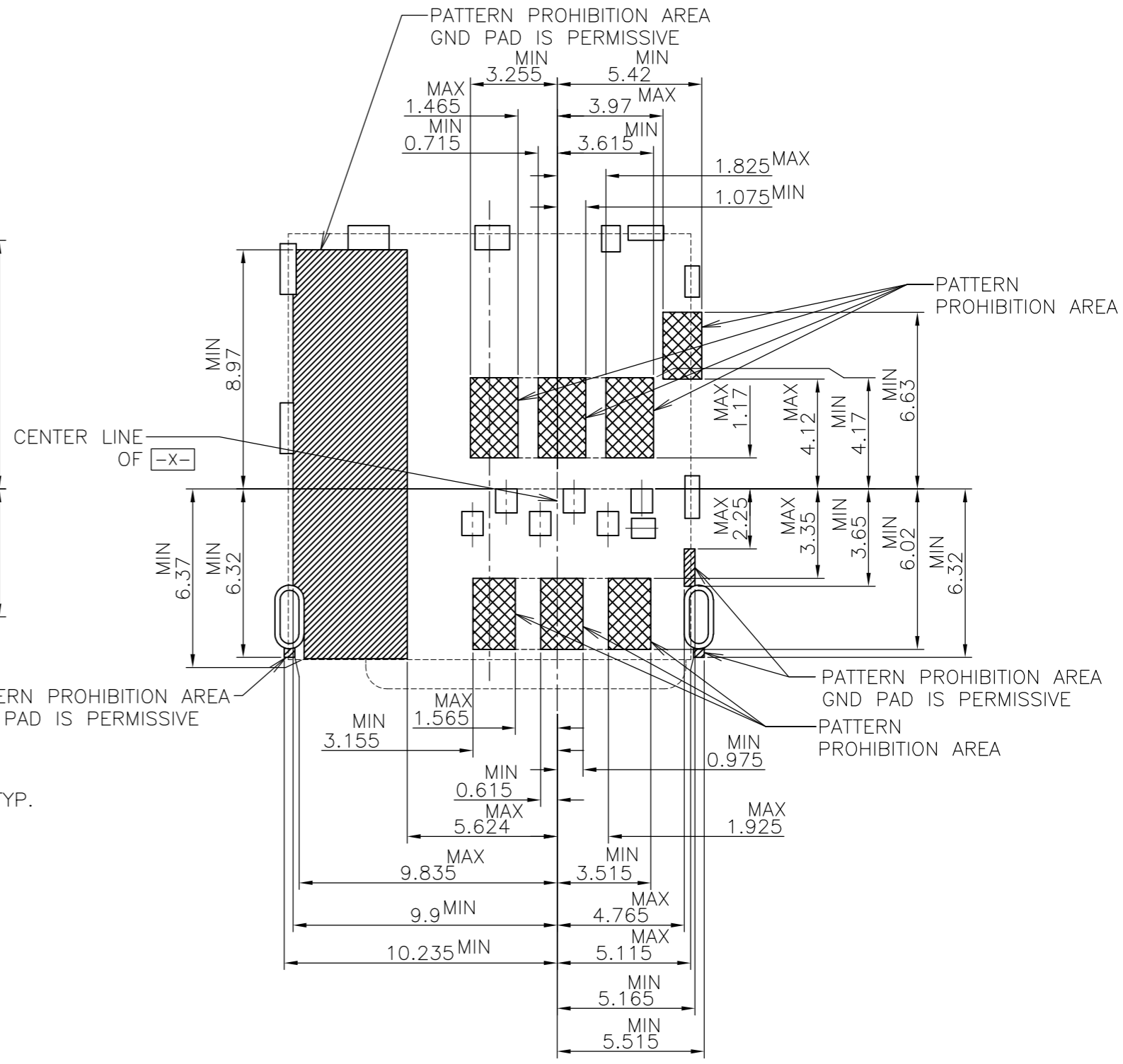
THIS DRAWING IS A CONTROLLED DOCUMENT.		DWN	J.TSUJI	30JUN2011	STE TE Connectivity			
DIMENSIONS: mm		CHK	K.KOBAYASHI	30JUN2011				
TOLERANCES UNLESS OTHERWISE SPECIFIED:		APVD	T.KUSUHARA	30JUN2011				
0 PLC ± - 1 PLC ± - 2 PLC ± - 3 PLC ± - 4 PLC ± - ANGLES ± - MATERIAL FINISH		PRODUCT SPEC	108-78896					
MATERIAL		APPLICATION SPEC	-		NAME	MICRO SIM CONNECTOR PUSH-PUSH DIP TYPE		
		WEIGHT	-		SIZE	A3		
		CUSTOMER DRAWING		SCALE	5:1	SHEET	1 OF 5	
				RESTRICTED TO	C=2174803		REV	D

THIS DRAWING IS UNPUBLISHED. RELEASED FOR PUBLICATION JUN ,2011.
 © COPYRIGHT 2011 By Tyco Electronics Japan G.K. ALL RIGHTS RESERVED.

LOC	DIST	REVISIONS			
P	LTR	DESCRIPTION	DATE	DWN	APVD
J	/	SEE SHEET 1	-	-	-



PCB LAYOUT(REFERENCE)
(VIEWED FROM CONNECTOR MOUNT SIDE)



THIS DRAWING IS A CONTROLLED DOCUMENT.		DWN	-	
DIMENSIONS: mm		CHK	-	
TOLERANCES UNLESS OTHERWISE SPECIFIED:		APVD	-	
0 PLC ± -		PRODUCT SPEC	-	
1 PLC ± -		APPLICATION SPEC	-	
2 PLC ± -		WEIGHT	-	
3 PLC ± -		TE Connectivity		
4 PLC ± -		NAME		
ANGLES ± -		MICRO SIM CONNECTOR PUSH-PUSH DIP TYPE		
FINISH ± -		SIZE	CAGE CODE	DRAWING NO
MATERIAL		A300779		C-2174803
		CUSTOMER DRAWING		RESTRICTED TO
		SCALE	SHEET	REV
		5:1	2 of 5	D

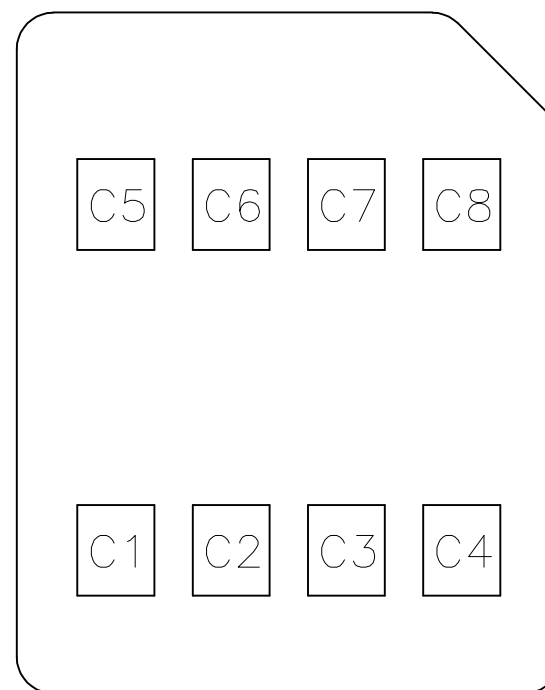
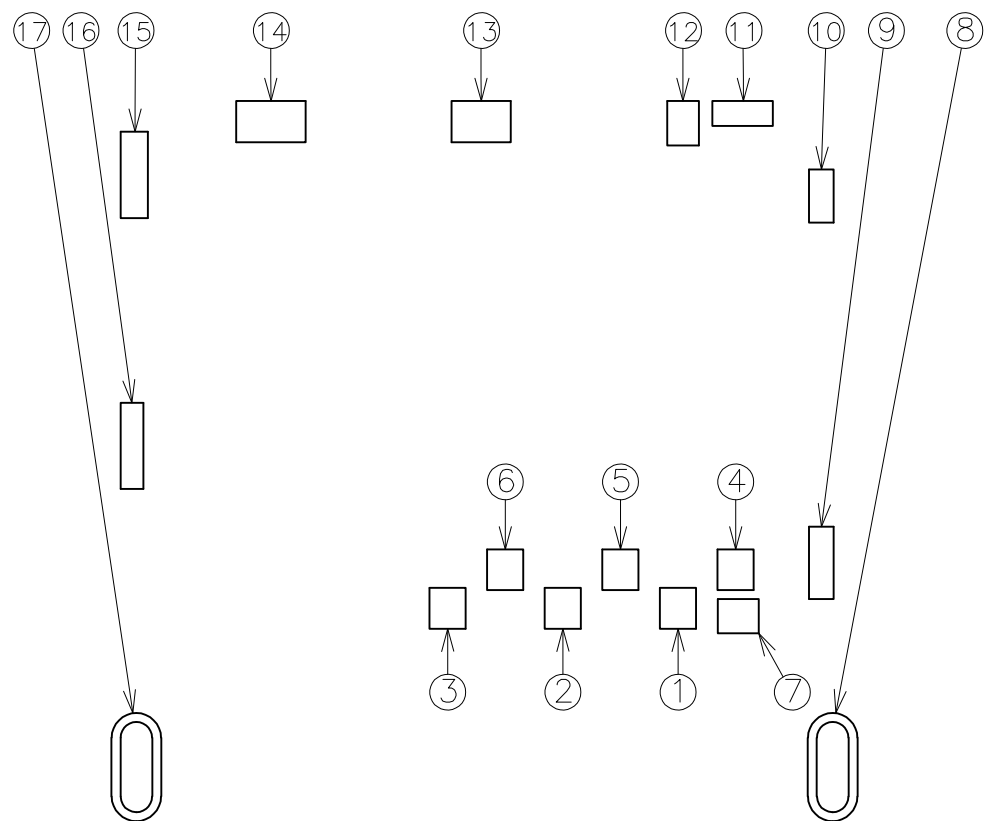
P	LTR	DESCRIPTION	DATE	DWN	APVD
-	-	SEE SHEET 1	-	-	-

Connector Pin Assignment

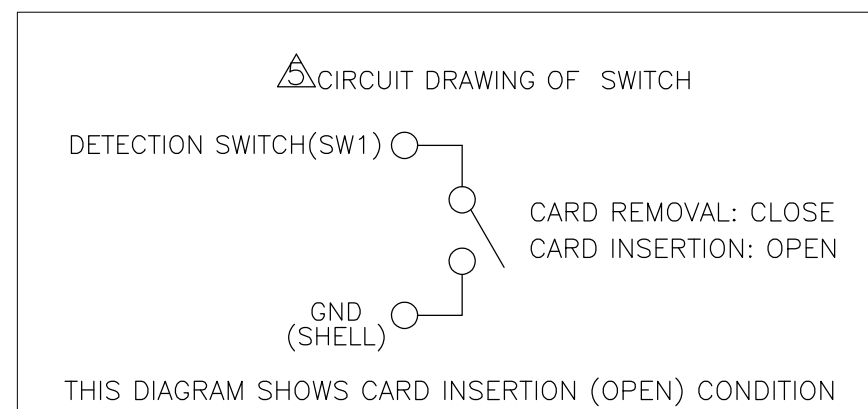
No.	Pin Name	Description
①	C1	Vcc of SIM
②	C2	RST of SIM
③	C3	CLK of SIM
④	C5	GND of SIM
⑤	C6	Vpp of SIM
⑥	C7	I/O of SIM
⑦	SW	Detection Switch
⑧~⑰	GND	Shell Ground

SIM Card Pin Assignment

Pin No.	Name
C1	Vcc
C2	RST
C3	CLK
C4	Reserved
C5	GND
C6	Vpp
C7	I/O
C8	Reserved



SIM CARD PAD LAYOUT



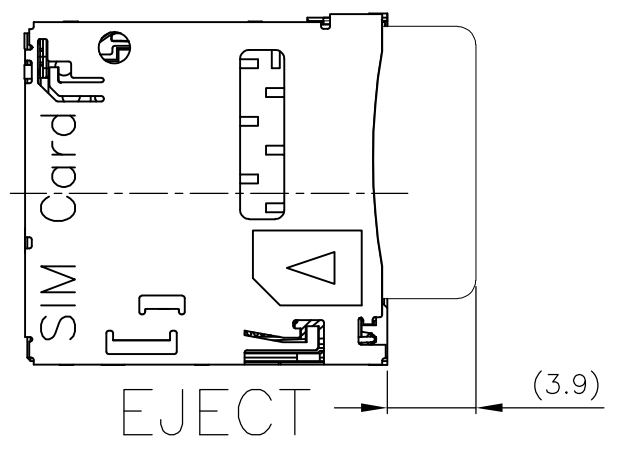
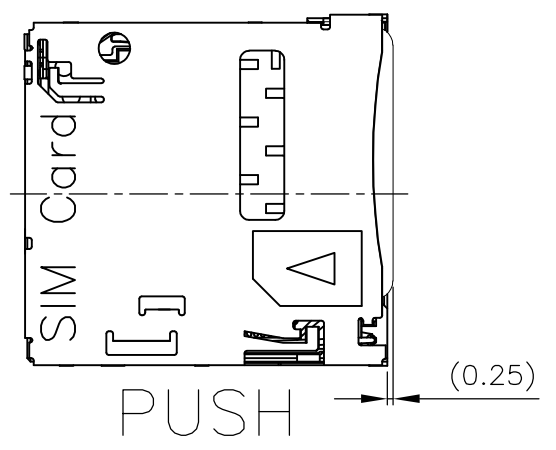
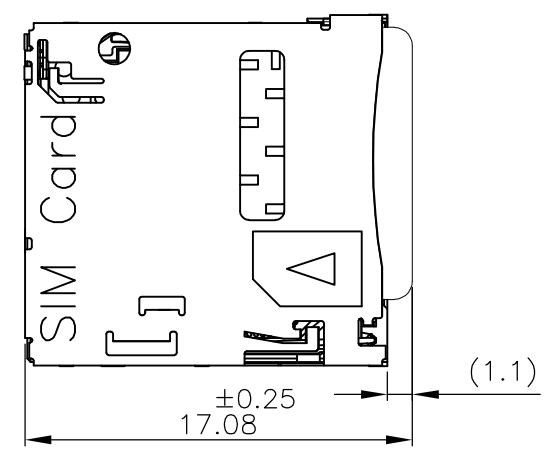
PCB LAYOUT(REFERENCE)
(VIEWED FROM CONNECTOR MOUNT SIDE)

THIS DRAWING IS A CONTROLLED DOCUMENT.		DWN	-		
DIMENSIONS: mm		CHK	-		
TOLERANCES UNLESS OTHERWISE SPECIFIED:		APVD	-		
0 PLC ± -		PRODUCT SPEC	-		
1 PLC ± -		APPLICATION SPEC	-		
2 PLC ± -		WEIGHT	-		
3 PLC ± -		<p>STE TE Connectivity</p> <p>NAME</p> <p>MICRO SIM CONNECTOR PUSH-PUSH DIP TYPE</p>			
4 PLC ± -		SIZE	CAGE CODE	DRAWING NO	RESTRICTED TO
ANGLES ± -		A3	00779	C-2174803	
FINISH		CUSTOMER DRAWING		SCALE	SHEET
				NTS	3 OF 5

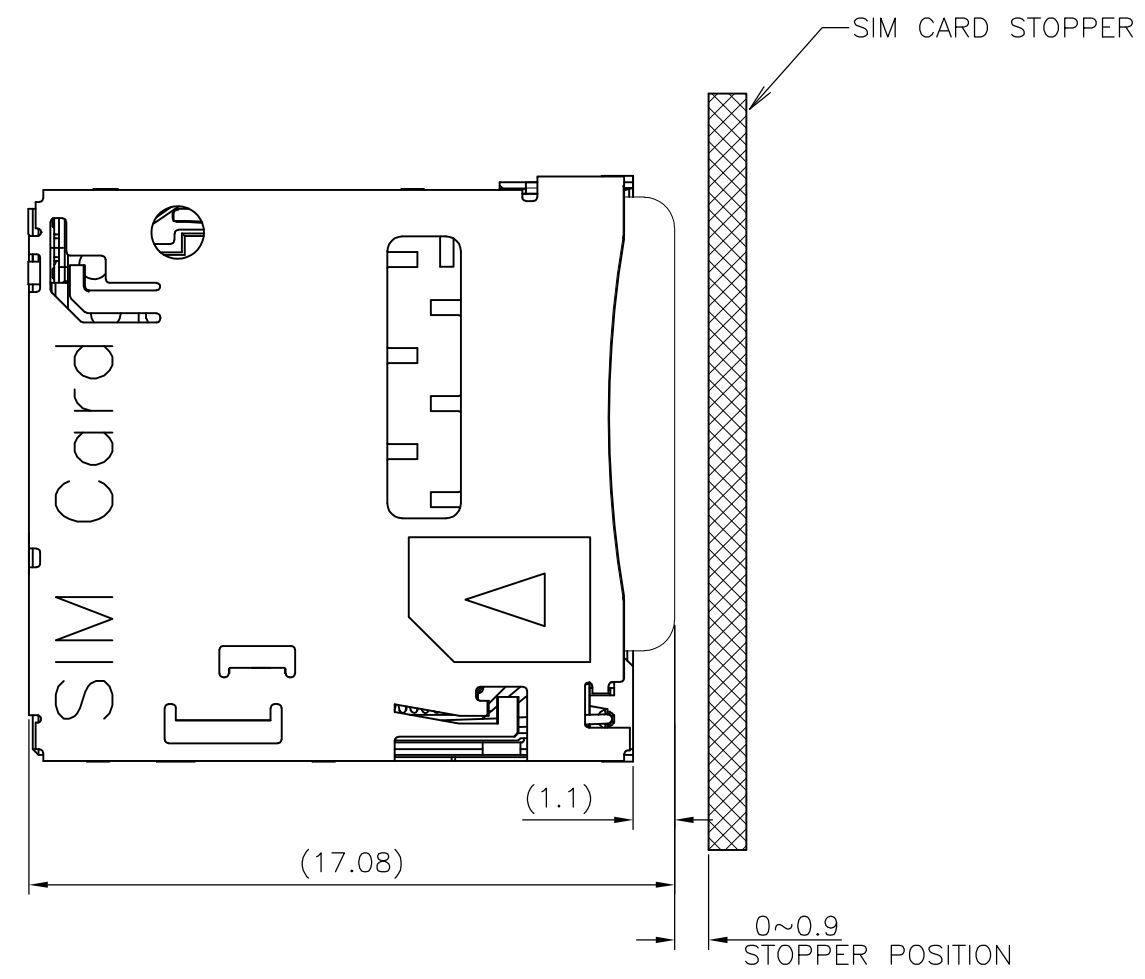
THIS DRAWING IS UNPUBLISHED. RELEASED FOR PUBLICATION JUN , 2011.
 © COPYRIGHT 2011 By Tyco Electronics Japan G.K. ALL RIGHTS RESERVED.

LOC	DIST	REVISIONS			
P	LTR	DESCRIPTION	DATE	DWN	APVD
J	/	SEE SHEET 1	-	-	-

THERE IS NO MICRO SIM CARD LOCK IN THIS CONNECTOR.
 CARD STOPPER AS SHOWN BELOW MUST BE NECESSARY.



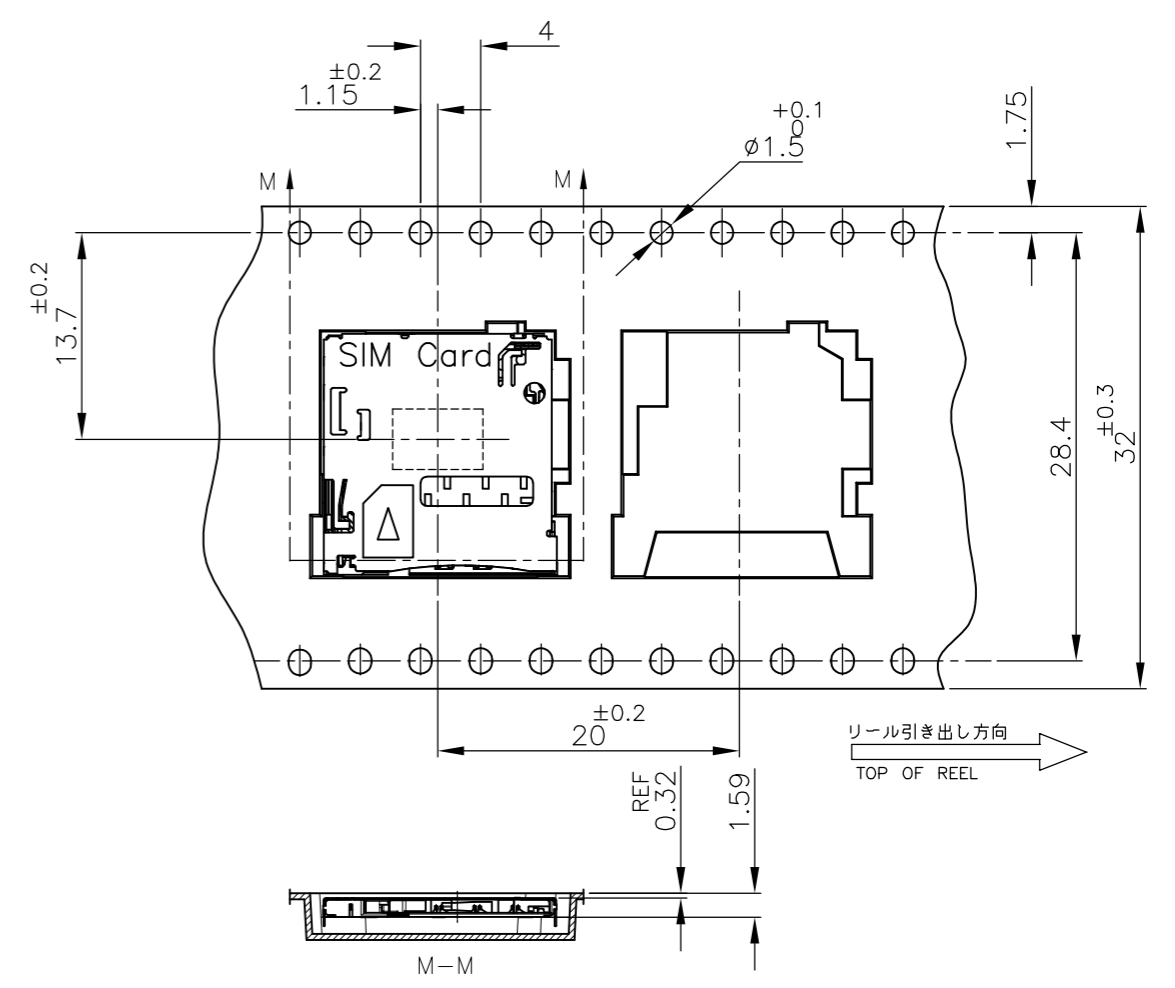
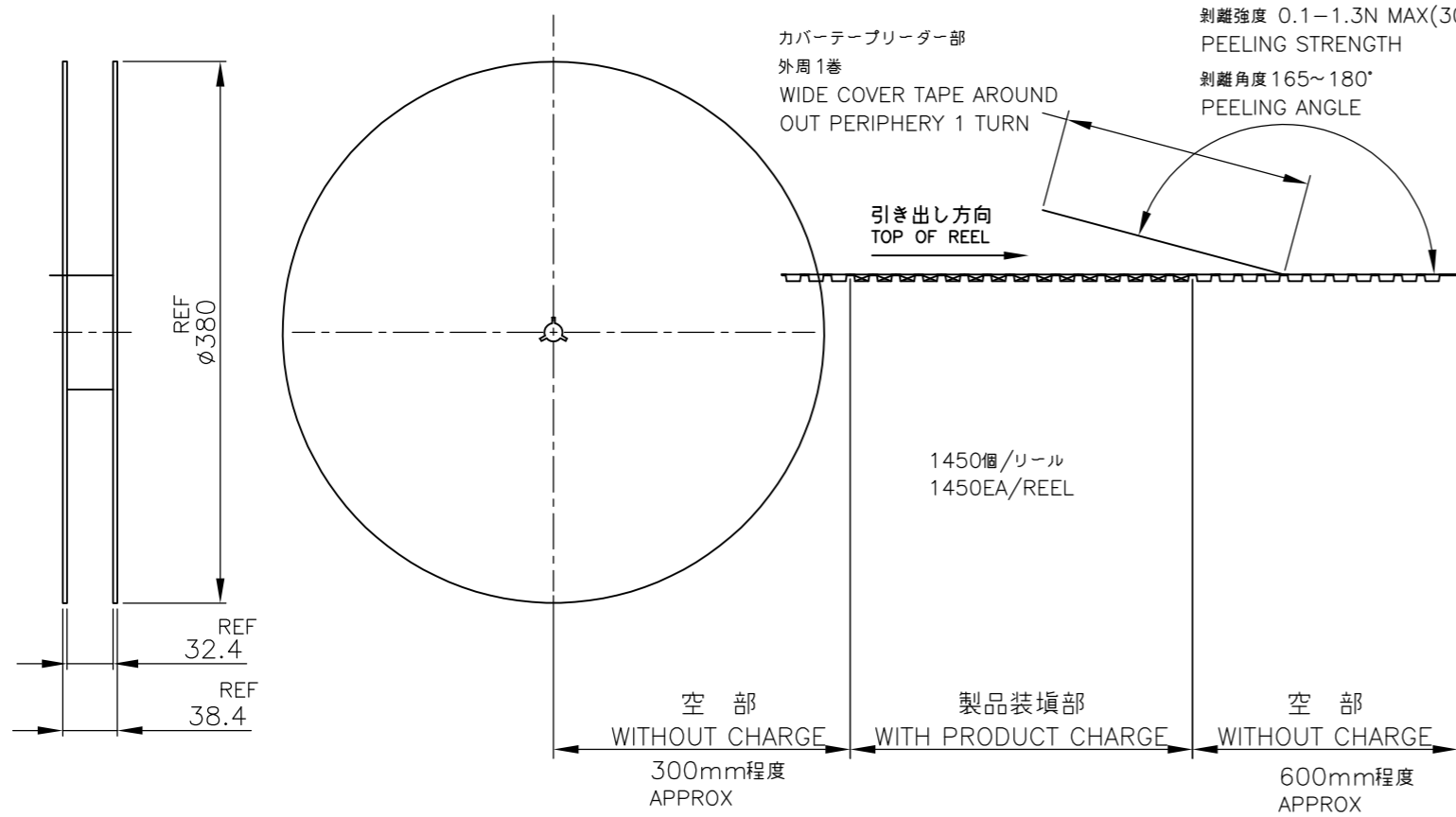
SCALE 3:1



THIS DRAWING IS A CONTROLLED DOCUMENT.		DWN	TE Connectivity NAME MICRO SIM CONNECTOR PUSH-PUSH DIP TYPE					
DIMENSIONS: mm		CHK				PRODUCT SPEC	SIZE	CAGE CODE
TOLERANCES UNLESS OTHERWISE SPECIFIED:		APVD				APPLICATION SPEC	DRAWING NO	RESTRICTED TO
0 PLC ± - 1 PLC ± - 2 PLC ± - 3 PLC ± - 4 PLC ± - ANGLES ± - MATERIAL FINISH		WEIGHT				A3	00779	C-2174803
CUSTOMER DRAWING			SCALE	SHEET	REV			
			5:1	4 OF 5	D			

THIS DRAWING IS UNPUBLISHED. RELEASED FOR PUBLICATION JUN ,2011.
 © COPYRIGHT 2011 By Tyco Electronics Japan G.K. ALL RIGHTS RESERVED.

LOC	DIST	REVISIONS			
P	LTR	DESCRIPTION	DATE	DWN	APVD
		SEE SHEET 1	-	-	-



THIS DRAWING IS A CONTROLLED DOCUMENT.		DWN	-		
DIMENSIONS: mm		CHK	-		
TOLERANCES UNLESS OTHERWISE SPECIFIED:		APVD	-		
0 PLC ± -		PRODUCT SPEC	-		
1 PLC ± -		APPLICATION SPEC	-		
2 PLC ± -		WEIGHT	-		
3 PLC ± -		TE Connectivity			
4 PLC ± -		MICRO SIM CONNECTOR PUSH-PUSH DIP TYPE			
ANGLES ± -		SIZE	CAGE CODE	DRAWING NO	RESTRICTED TO
FINISH		A3	00779	C-2174803	
MATERIAL		CUSTOMER DRAWING		SCALE	SHEET
				NTS	5 OF 5
				REV	D