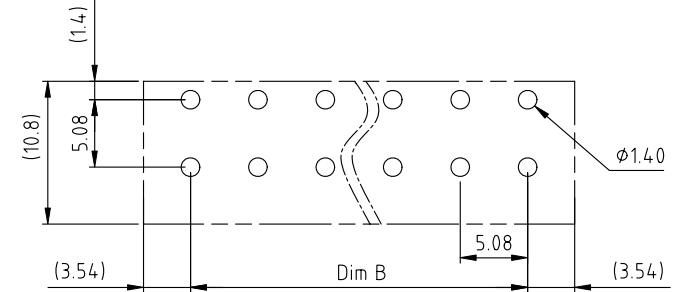
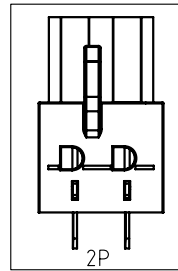
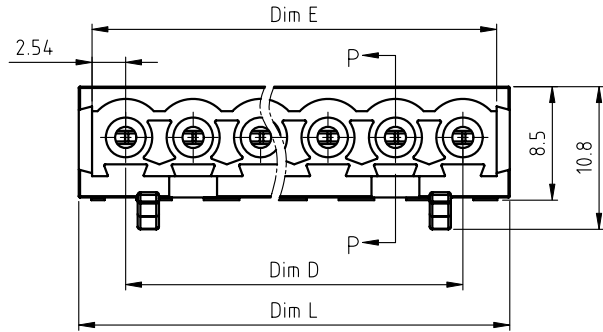
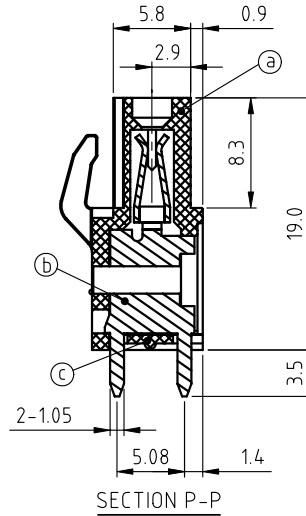
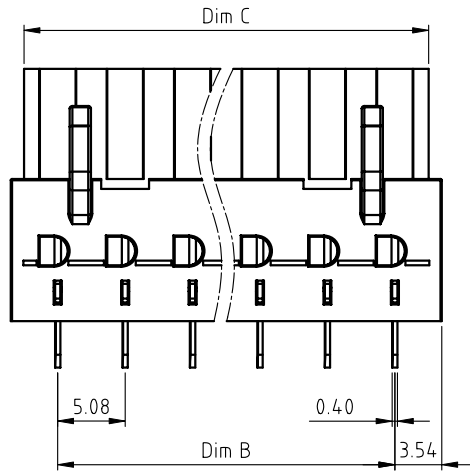


PRODUCT NUMBER	PITCH
V7xx51x000J0G	5.08 mm



RECOMMENDED P.C.B LAYOUT  
TOP VIEW



Material:

- Item ① Terminal body: Thermoplastic (UL94 V-0)
- Item ② Female contact: High conductivity copper, Tin plated
- Item ③ Terminal cover: Thermoplastic (UL94 V-0)

Electrical cULus

- Voltage rating: 300VAC
- Current rating: 20A
- Withstanding Voltage: 1.6kv
- Operating temperature: -40°C to +115°C
- Soldering temperature: 260°C±5°C/5 Sec
- Safety Approval:

N = Number of poles  
 Dim L=(N-1)×5.08+7.08  
 Dim B=(N-1)×5.08  
 Dim C=N×5.08  
 Dim D=(N-1)×5.08  
 Dim E=(N-1)×5.08+5.08

PART NO.: V7 xx 5 1 x 0 00J0 G

POLES	Tolerance	
	Dim L,B,D,E	Dim C
2-6p	±0.15	0 -0.20
7-12p	±0.25	
13-18p	±0.30	0 -0.40
19-24p	±0.40	

Solid block	Color	RoHS compliant (lead<4%) In copper Alloy
0	Black (RAL9005)	
2	Red (RAL3001/D)	
02	2poles	
3	Orange(RAL2011/P)	
03	3poles	
4	Yellow(RAL1018/A)	
...	...	
5	Green(RAL6018/T)	
24	24poles	
6	Blue (RAL5015/A)	
8	Grey(RAL7035/D)	
9	White(RAL1102)	
C	Green(RAL6018/U)	

mat'l. code		surface ASME Y14.5	tolerance ASME Y14.5	projection 	product family TERMINAL BLOCK
ltr	ecn no	dr	date	tolerances unless otherwise specified	title TERMINAL BLOCK PLUGGABLE PCB PLUG,VERTICAL
				angles $X \pm 0.5$ $X.X \pm 0.3$ $X^* \pm 1^*$ $X.XX \pm 0.1$	scale MM
dr	ENGR	ENGR	chr	appd	FCI
	EVIN ZHONG	EVIN ZHONG	HANKE FENG	SHI JUN	dwg no V7xx51x000J0G
	043014	043014	043014	043014	sheet 1 of 1 size A4
sheet index	revision	A			type CUSTOMER Drawing
	sheet	1			