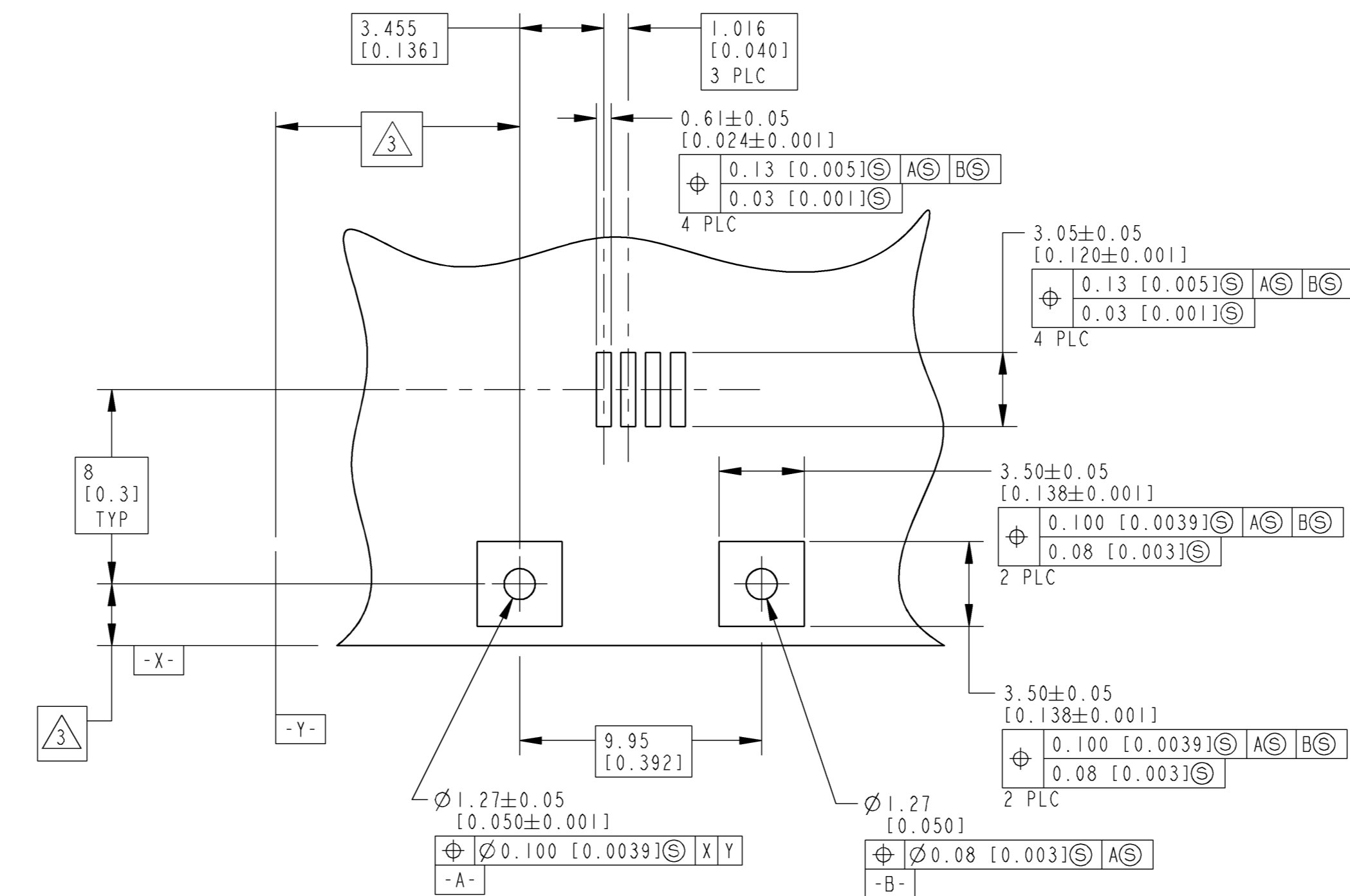
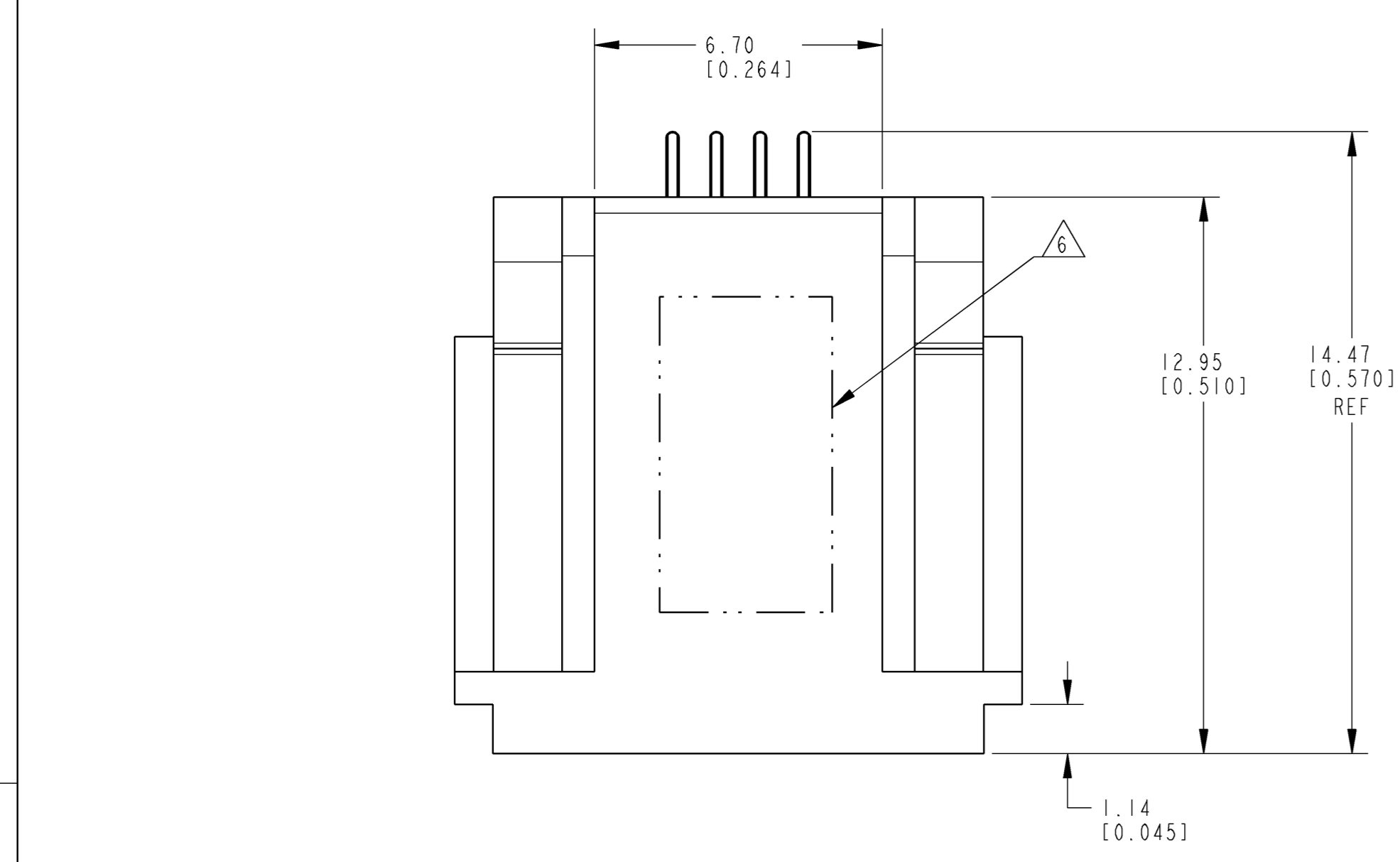
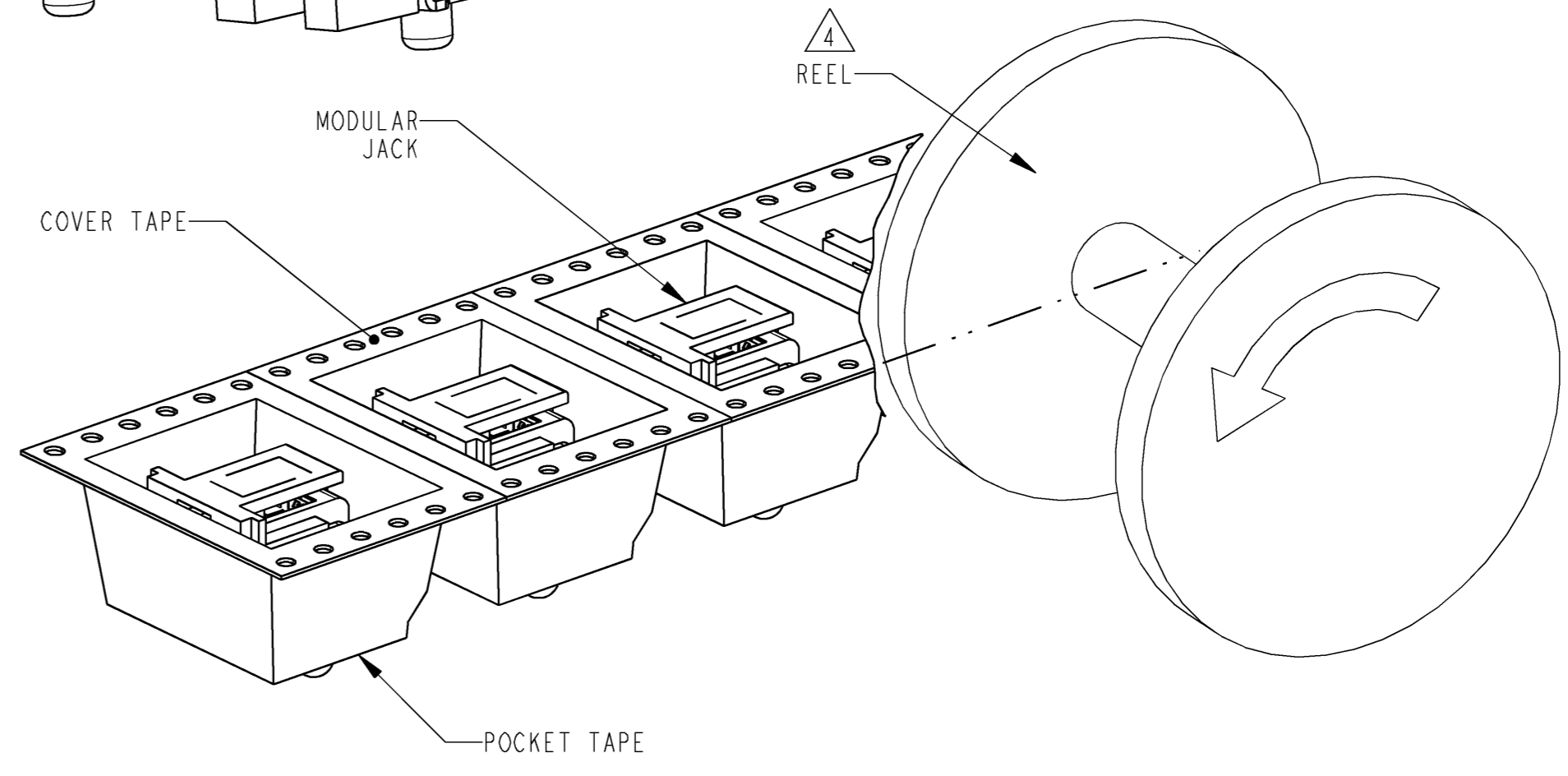
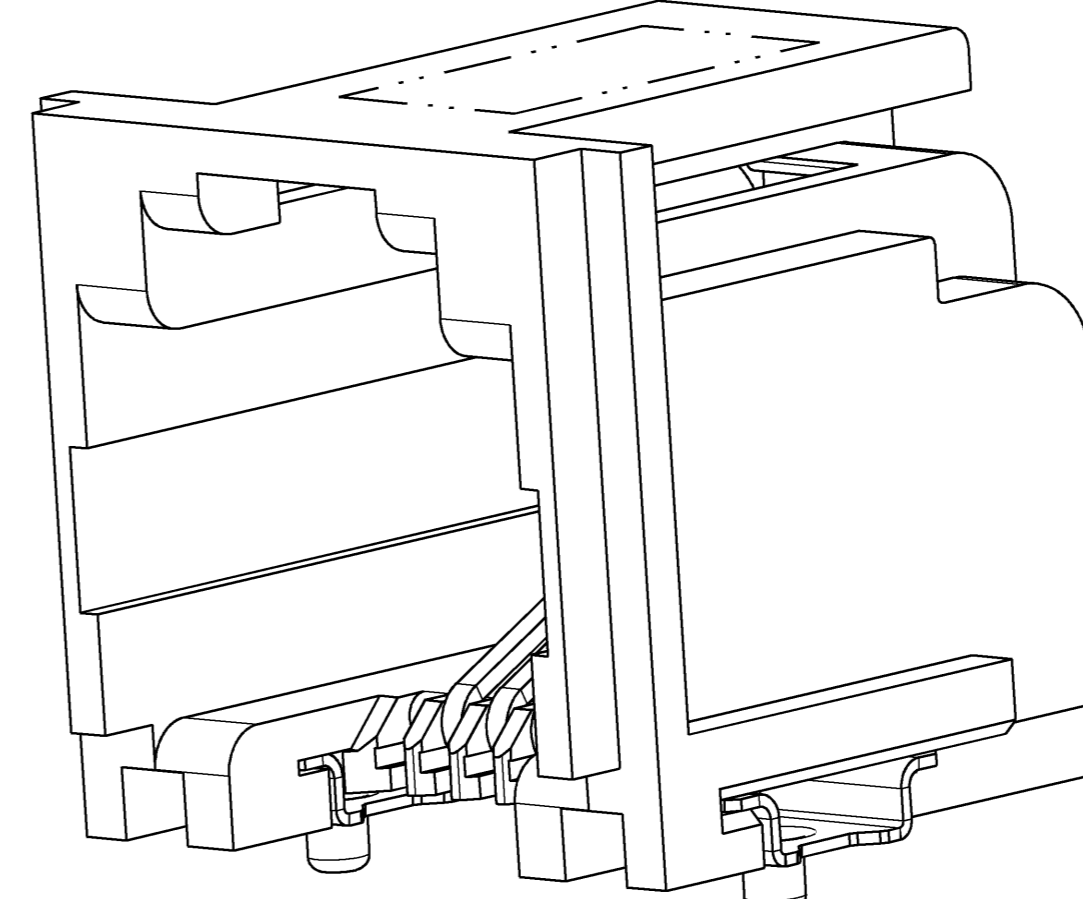
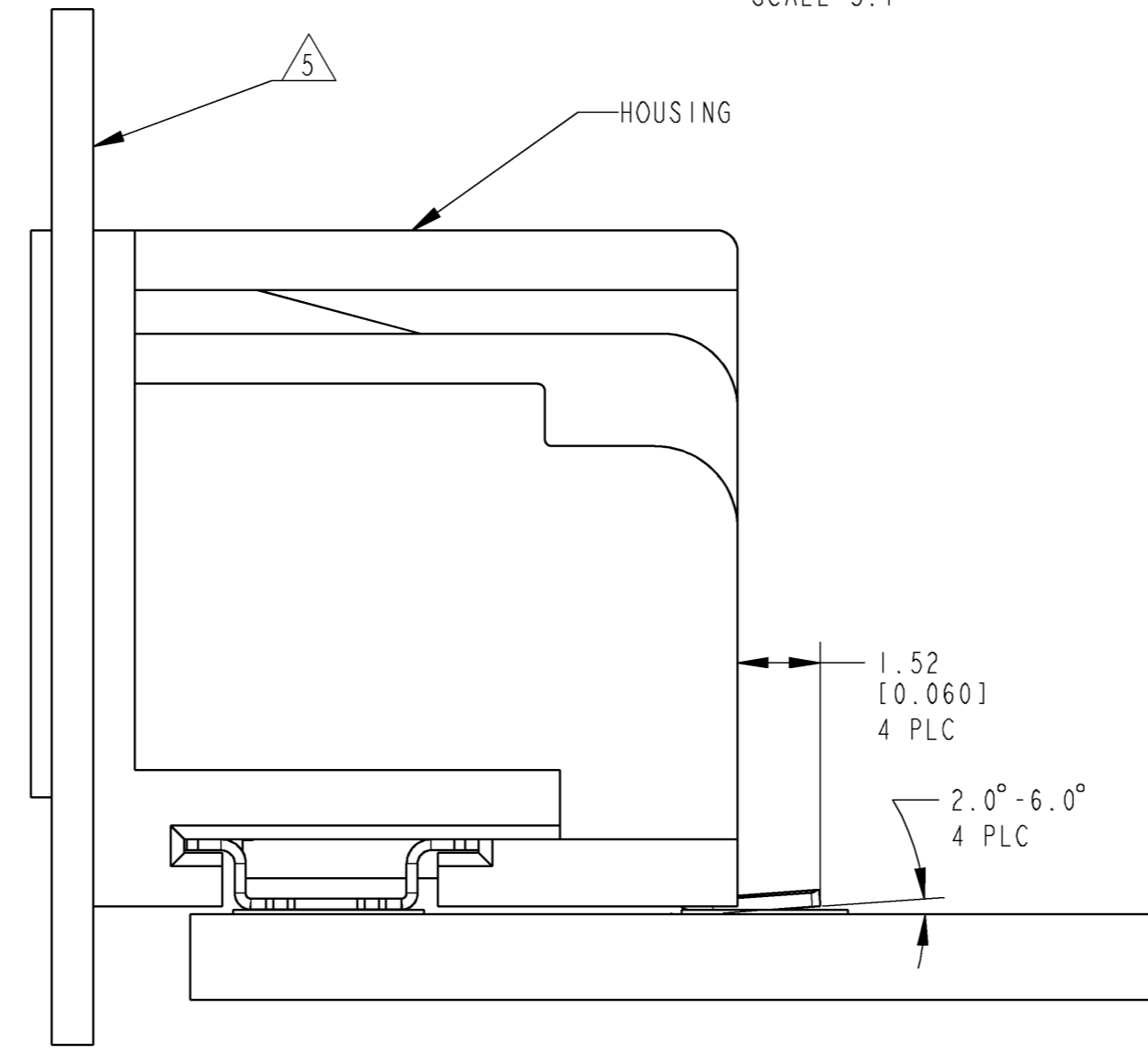


| LOC | DIST | REVISIONS | | | | | |
|-----|------|-----------|-----|---------------|---------|-----|------|
| H | - | P | LTH | DESCRIPTION | DATE | OWN | APVD |
| A | | | | FIRST ISSUE | 24DEC08 | PCH | TdB |
| B | | | | ECR-09-022021 | 08OCT09 | PS | PCH |
| - | | | | - | - | - | - |
| - | | | | - | - | - | - |

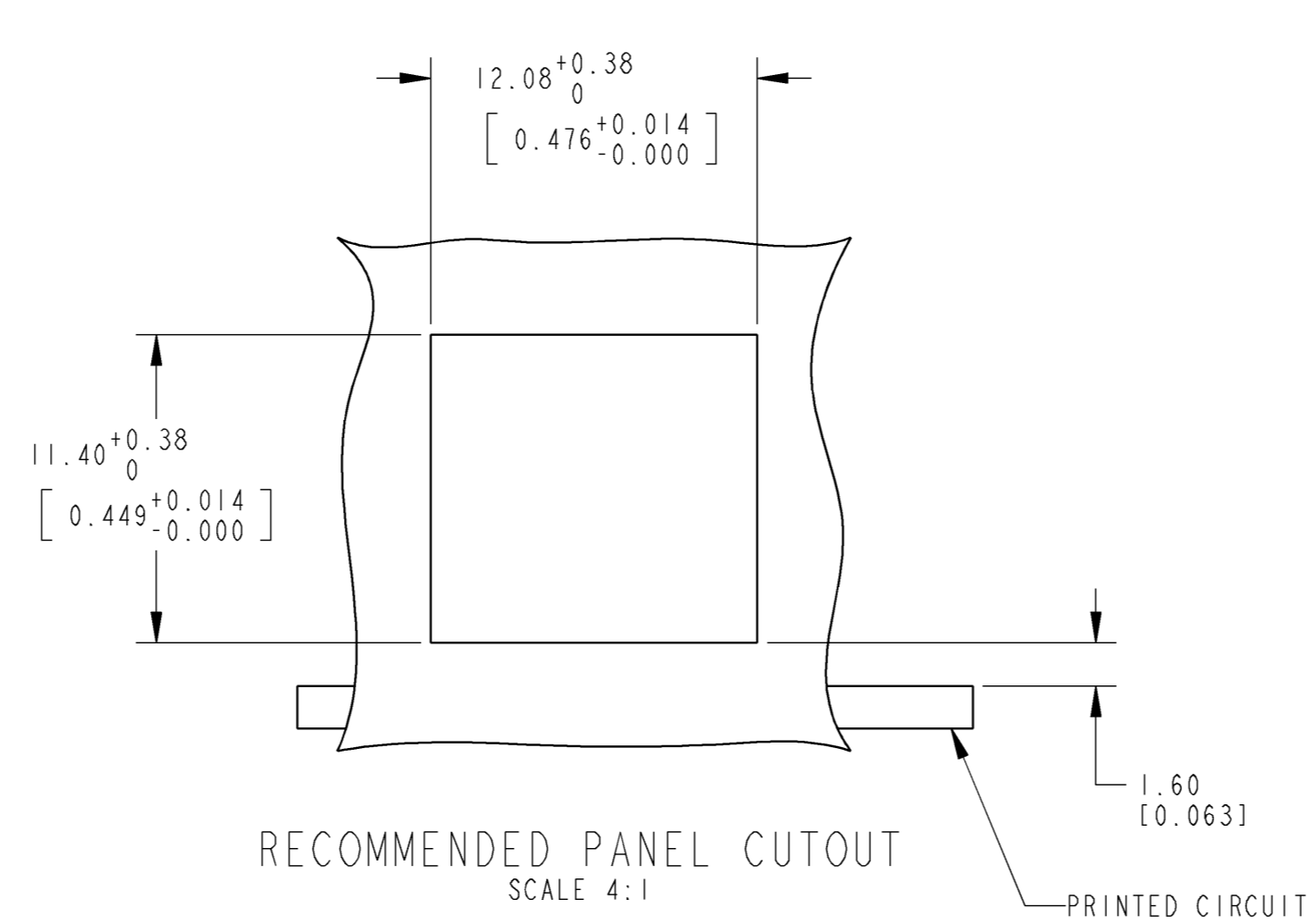
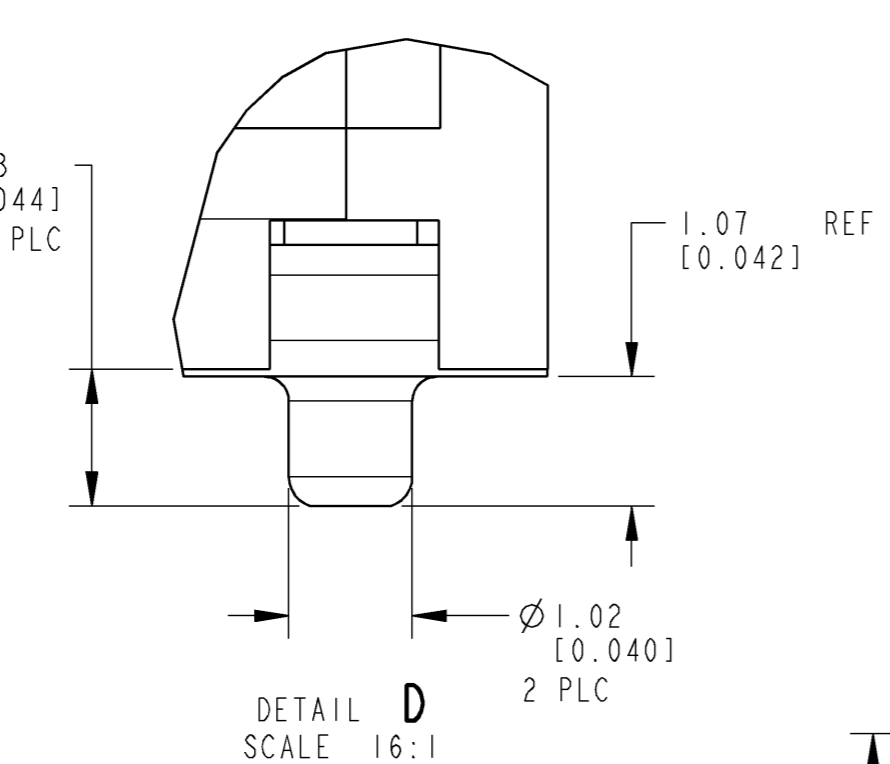
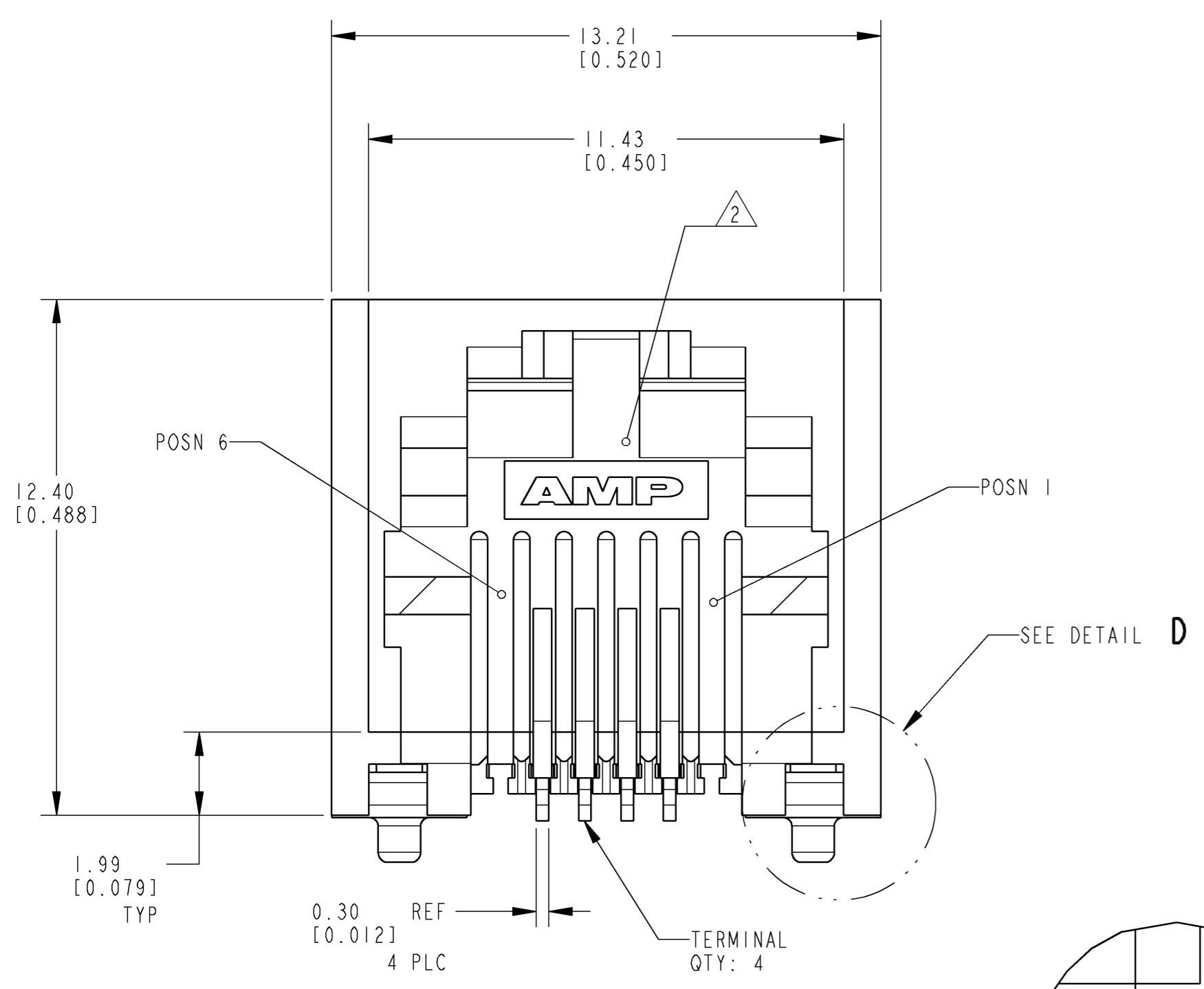


- 1 MATERIAL:
 HOUSING - HIGH TEMPERATURE THERMOPLASTIC, PA 9T COLOR - BLACK.
 TERMINALS - 0.3[.012] THICK COPPER ALLOY PLATED WITH 1.27µ[.00050] MINIMUM GOLD IN LOCALIZED GOLD PLATE AREA, 2.5 µm[.000100] MINIMUM MATTE TIN ON TERMINATION END, BOTH OVER 1.27µm[.00050] MINIMUM NICKEL OVER ENTIRE TERMINAL.
 BOARDLOCK - PHOS BRONZE, 1/2 HARD, 3.81µm[.000150] MINIMUM MATTE TIN OVER 1.27µm[.00050] MINIMUM NICKEL ON TERMINAL END.
- 2 JACK CAVITY CONFORMS TO FCC 47 RULES AND REGULATIONS, PART 68 SUBPART F.
- 3 DATUM ESTABLISHED BY CUSTOMER.
- 4 PACKAGING TAPE AND REEL: (PER EIA 481 SPEC) REFER 107-64184
 32mm WIDE TAPE
 24mm POCKET PITCH
 560mm REEL DIA
 600 PIECES PER REEL
- 5 CONNECTOR SHOULD BE POSITIONED THROUGH PANEL CUTOUT AS SHOWN TO SUPPORT TOP OF MODULAR JACK FOR STRAIN RELIEF
- 6 MANUFACTURING DATE CODE LOCATED APPROXIMATELY AS SHOWN. FIRST 2 DIGITS ARE YEAR, SECOND 2 DIGITS ARE WORK WEEK, AND LAST DIGIT IS THE DAY OF THE WEEK
- 7 PACKAGING TAPE AND REEL: (PER EIA 481 SPEC) REFER 107-64184
 32mm WIDE TAPE
 24mm POCKET PITCH
 330mm REEL DIA
 200 PIECES PER REEL

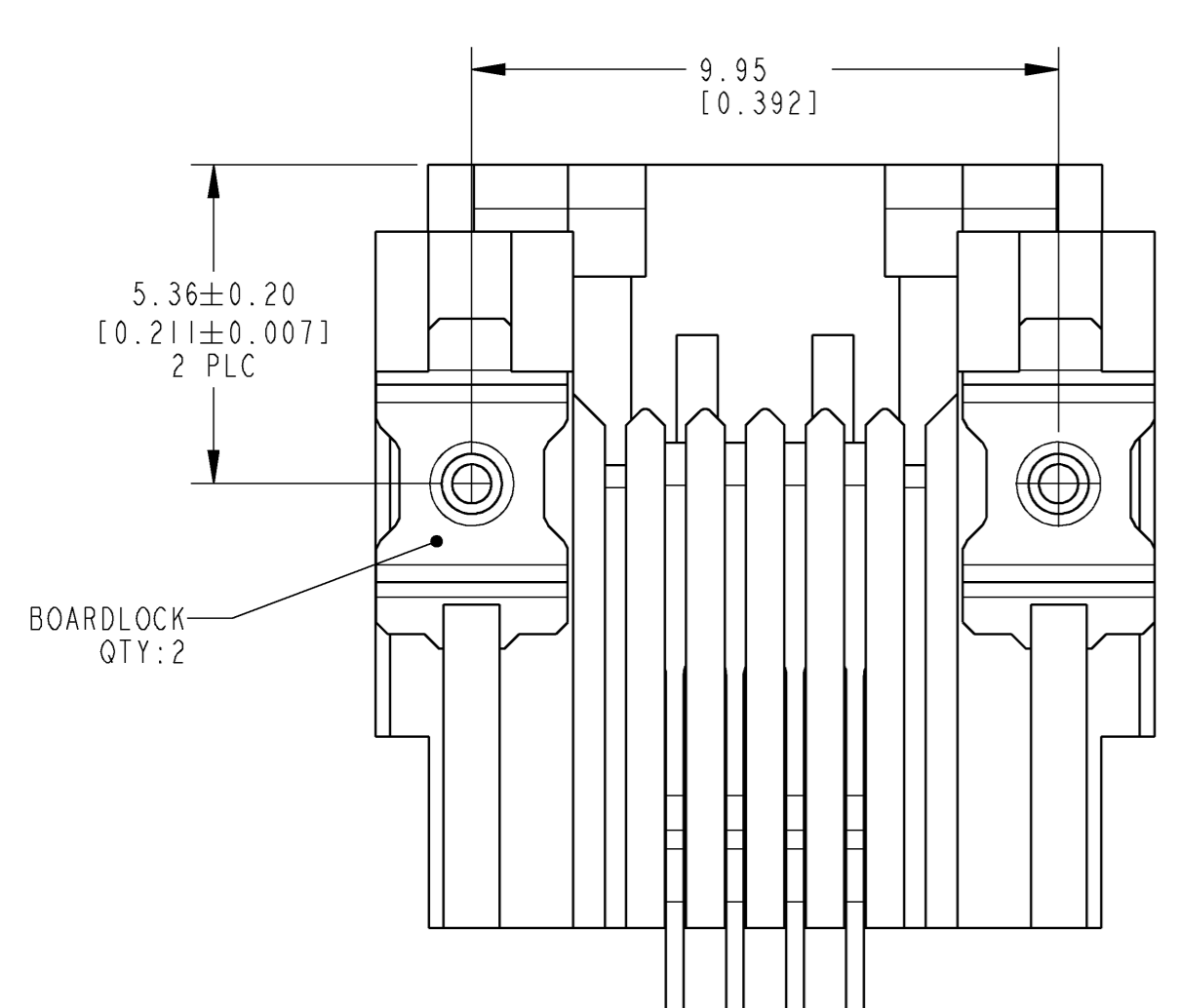
RECOMMENDED PRINTED CIRCUIT BOARD LAYOUT
 COMPONENT SIDE
 SCALE 5:1



1551040-1 AS SHOWN



RECOMMENDED PANEL CUTOUT
 SCALE 4:1



| | | | | | | |
|--|--|--|--|---|--|---|
| DIMENSIONS: mm [INCHES] | | TOLERANCES UNLESS OTHERWISE SPECIFIED: 0 PLC ± 1 PLC ±0.13(.005) 2 PLC ± 3 PLC ± 4 PLC ± ANGLES ±1 | | OWN: PREMJJTH 24DEC08 CHK: D.CAMPSCHROER 24DEC08 APVD: T.A.ROER 24DEC08 | NAME: MODULAR JACK ASSEMBLY, 1 PORT, 6/4 POSN, SURFACE MOUNT, RIGHT ANGLE, WITH INWARD BOARDLOCKS APPLICATION SPEC: 108-1689 SIZE: 114-6040 WEIGHT: - CUSTOMER DRAWING | Tyco Electronics Corporation 's-Hertogenbosch, Nederland |
| MATERIAL: SEE NOTE 1 FINISH: SEE NOTE 1 | | DIMENSIONS: 114-6040 WEIGHT: - CUSTOMER DRAWING | | NAME: 1551040-1 AS SHOWN APPLICATION SPEC: 108-1689 SIZE: 114-6040 WEIGHT: - CUSTOMER DRAWING | Tyco Electronics Corporation 's-Hertogenbosch, Nederland | |
| SCALE: 8:1 | | SHEET: 1 OF 1 | | REV: B | | |