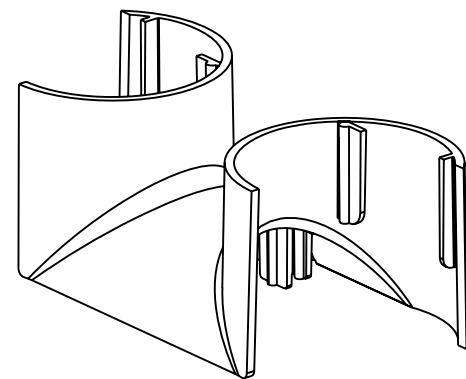
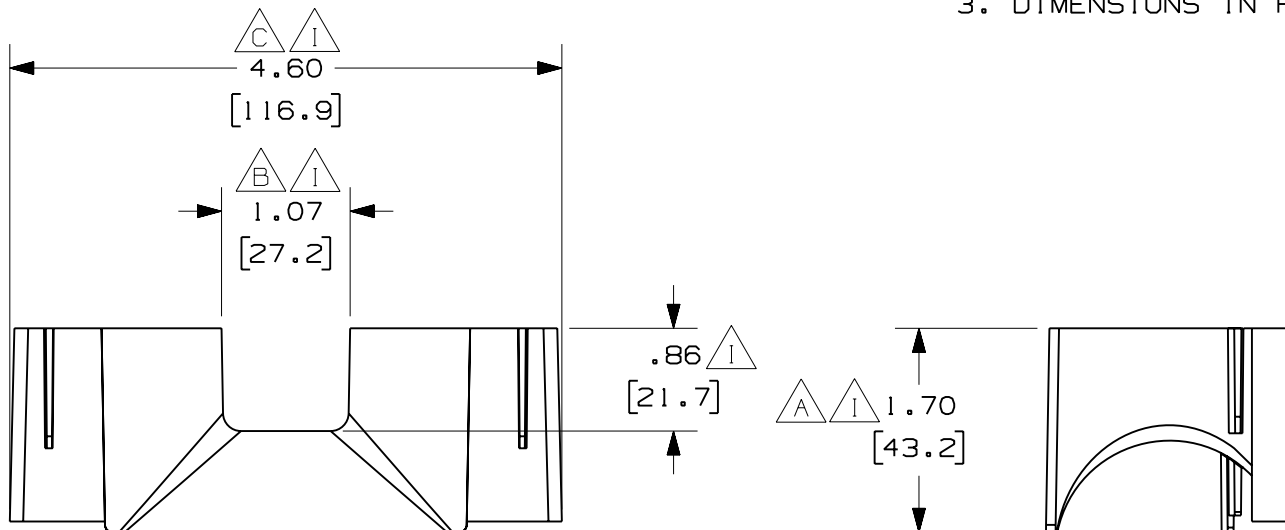


NOTES:

1. SEE CURRENT CATALOG FOR ADDITIONAL PART SUFFIXES TO INDICATE PACKAGE QUANTITY.
2. THE FIBER-DUCT 2x2 AND PANDUCT FS AND G 2x2 WIRING DUCT BEND RADIUS CONTROL TRUMPET ALLOWS FOR CABLES TO SPILL OUT OF THE FIBER-DUCT 2x2 AND PANDUCT TYPES FS AND G 2x2 WIRING DUCT WHILE MAINTAINING A 1" (25.4) BEND RADIUS.
3. DIMENSIONS IN PARENTHESES ARE IN METRIC.

PANDUIT PART NUMBER	WEIGHT
TRC2BL	.05 LB/EACH (23g/EACH)



ENG. REF.: D37275BB_DC_TRC2BL_02.prt

CAD FILENAME/LAYERS		F TRC2BL.pdf	
PANDUIT CORP TINLEY PARK, ILLINOIS			
FIBER-DUCT 2x2 AND PANDUCT FS AND G 2x2 WIRING DUCT BEND RADIUS CONTROL TRUMPET (TRC2BL) CUSTOMER DRAWING			
UNLESS OTHERWISE SPECIFIED, DIMENSIONAL TOLERANCES ARE: (.X) ± (.XXX) ± (.XX) ± .03 (.8) ANGLES ±		UNLESS OTHERWISE SPECIFIED, ALL DIMENSIONS ARE GIVEN IN INCHES, THIRD ANGLE PROJECTION.	
DRAWN BY MSO	MAT'L: ABS	SCALE NONE	DWG A
DATE 1-31-00		DRAWING NO. 37275-02	SIZE A
CHK'D JKG			

REV	DATE	BY	CHK	DESCRIPTION	ECN	R	CUST	SUP	GMBH
3	7-21-06	DTP	RN	J. REVISED PART WEIGHT	37275-02	RN	RN		
-	-----	---	---	I. REVISED DIMENSIONS. H. REVISED GENERAL NOTES.	-----	--	--		
2	10-13-05	MSO	SMF	G. REVISED DRAWING TITLE. F. REVISED CAD FILENAME.	37275-02	RN	RN		
-	-----	---	---	E. DIMENSION WAS 1.0 (25).	-----	---	---		
-	-----	---	---	D. DIMENSION WAS 0.1 (3). C. DIMENSION WAS 4.6 (117).	-----	---	---		
1	10-11-00	JBN	JKG	B. DIMENSION WAS 1.0 (27). A. DIMENSION WAS 1.6 (41).	37275-02	HIW	HIW		
R	1-31-00	MSO	JKG	RELEASED TO PRODUCTION	37275-02	HIW	HIW		