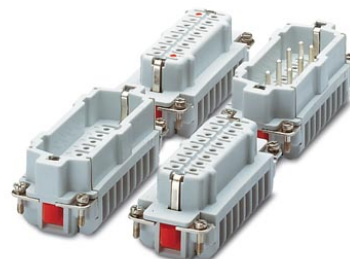


HC-HV 6-EBUS

Order No.: 1773365

The illustration shows a combination of versions HC-HV -6-EBUC, -6-EBUS, -6-ESTC and -6-ESTS



<http://eshop.phoenixcontact.de/phoenix/treeViewClick.do?UID=1773365>

HEAVYCON female insert, for 690 V(III/3), with 6 N/O contacts and 2 switching contacts, screw connection

Commercial data	
EAN	4017918115548
Pack	10 pcs.
Customs tariff	85366990
Weight/Piece	0.09341 KG
Catalog page information	Page 201 (PC-2005)

Product notes

WEEE/RoHS-compliant since:
03/01/2006



<http://www.download.phoenixcontact.com>
Please note that the data given here has been taken from the online catalog. For comprehensive information and data, please refer to the user documentation. The General Terms and Conditions of Use apply to Internet downloads.

Technical data

General data	
Note	For housings HC ADVANCE-B16, HC-HV 6
Connection method	Screw connection
Tightening torque	0.5 Nm
Ambient temperature (operation)	-40 °C ... 125 °C (including heating up of contacts)
Pollution degree	3
Surge voltage category	III

Constructional and testing regulations	DIN VDE 0627/86
	DIN VDE 0110/02.79
	DIN VDE 0110-1/04.97
	IEC 60664-1, DIN IEC 60512
	IEC 60352
Number of positions	6
Insertion/withdrawal cycles	≥ 500
Design	HV6
Conductor cross section	0.5 mm ² ... 2.5 mm ²
Connection cross section AWG	20 ... 14
Stripping length of the individual wire	7 mm (N/O contacts)
	7 mm (control contacts)

Material data

Inflammability class acc. to UL 94	V0
Contact material	Copper alloy
Contact surface material	Ag
Contact carrier material	PA

Electrical characteristics

Rated voltage (III/3)	(400/690 V N/O contacts)
	(250 V control contacts)
Rated surge voltage	6 kV (N/O contacts)
	4 kV (control contacts)
Rated current	16 A

Certificates / Approvals



Certification

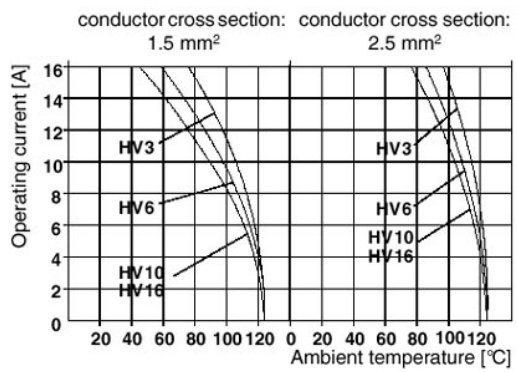
GOST

Accessories

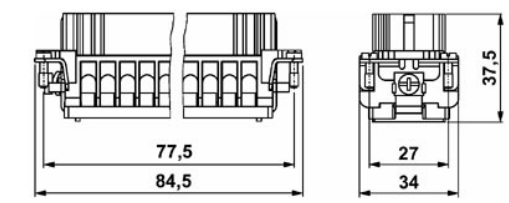
Item	Designation	Description
General		
1644326	HC-B-3PE	PE multiplier, for three PE connections, for HC-B (besides HC-B..E..ZZ) / HC-BB / HC-DD / HC-D40 / HC-D64 contact inserts

Diagrams/Drawings

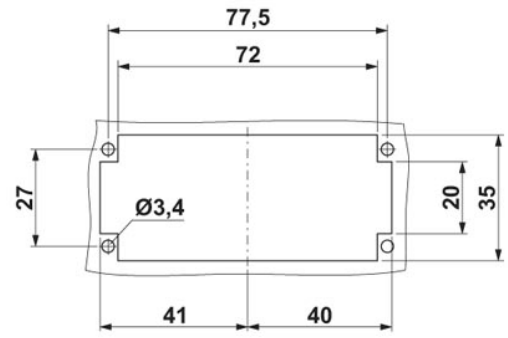
Diagram



Dimensioned drawing

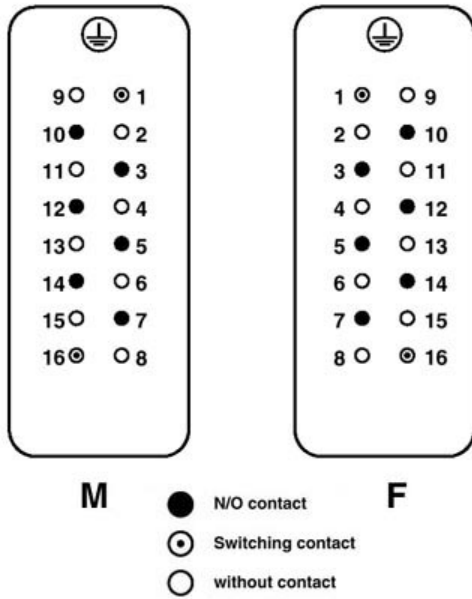


Female insert



Schematic diagram

View termination side



Address

PHOENIX CONTACT Inc., USA
586 Fulling Mill Road
Middletown, PA 17057, USA
Phone (800) 888-7388
Fax (717) 944-1625
<http://www.phoenixcon.com>



© 2010 Phoenix Contact
Technical modifications reserved;