

# T1/E1/CEPT/ISDN-PRI SMT TRANSFORMERS

Ruggedized



- Pick and Place Compatible
- Isolation Voltage: 1500 Vrms minimum
- Extended Temperature Range: -55°C to +125°C
- Tape and Reel packaging available
- Lead Finish: Sn63/Pb37
- Epoxy Encapsulated
- MSL: 3

## Electrical Specifications @ 25°C — Operating Temperature -55°C to +125°C

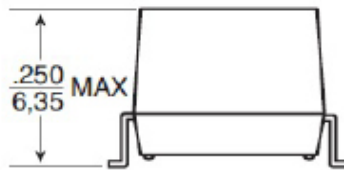
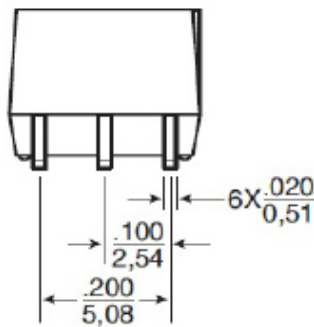
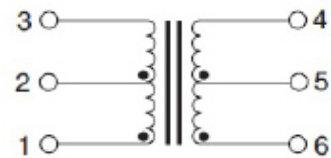
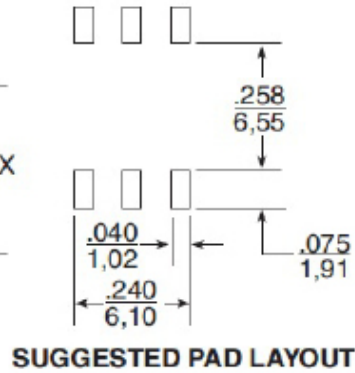
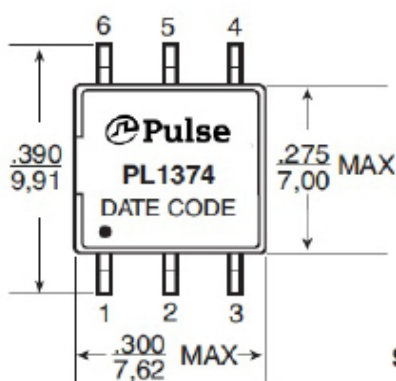
Part Number	Turns Ratio (Pri:Sec +2%)	OCL Pri @ 25°C (mH MIN)	C <sub>ww</sub> (pF MAX)	DCR Pri (Ω MAX)	Primary Pins
PL1374	1CT: 1CT	1.2	35	0.8	1-3

**Note:** 1. Add suffix "NL" for RoHS compliant part; i.e. PL1374 becomes PL1374NL 2. Add Suffix "T" for Tape and Reel packaging

### Mechanical

### Schematic

#### PL1374

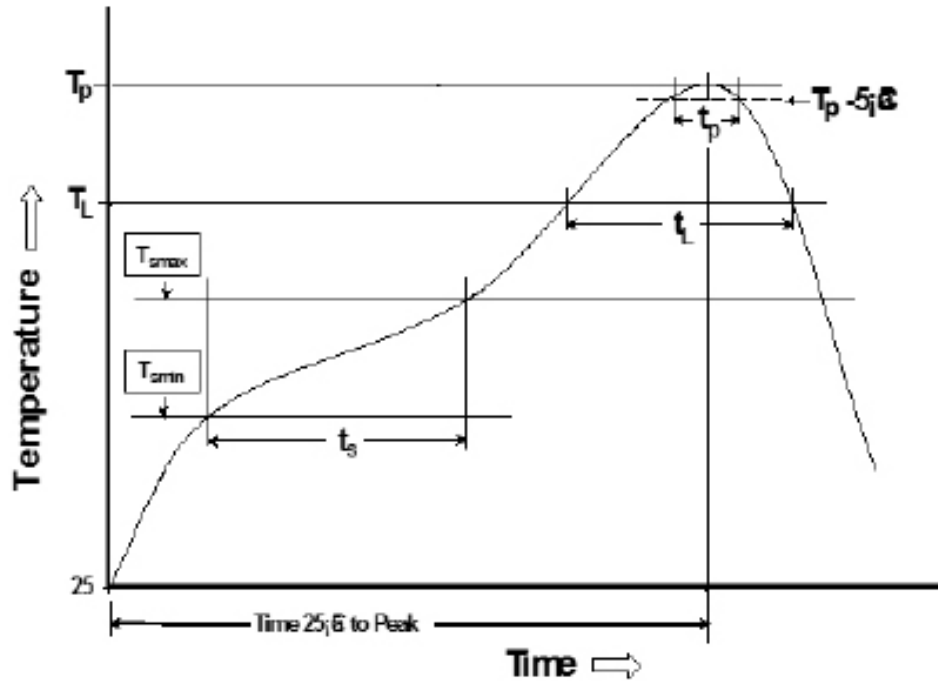


Weight .....0.6 grams  
 Tape & Reel .....500/reel  
 Tube .....70/tube  
 Dimensions:  $\frac{\text{Inches}}{\text{mm}}$   
 Unless otherwise specified,  
 all tolerances are  $\pm \frac{.010}{0.25}$

# T1/E1/CEPT/ISDN-PRI SMT TRANSFORMERS

Ruggedized

## Tin/Lead Recommended Reflow Profile (Based on J-STD-020D)



$T_{SMIN}$ (°C)	$T_{SMAX}$ (°C)	$T_L$ (°C)	$T_P$ (°C MAX)	$t_s$ (s)	$t_L$ (s)	$t_p$ (s MAX)	Ramp-up rate ( $T_L$ to $T_P$ )	Ramp-down rate ( $T_P$ to $T_L$ )	Time 25°C to peak temperature (s MAX)
100	150	183	235	60-120	60-150	20	3°C/s MAX	6°C/s MAX	360

**Notes:**

1. All temperatures measured on the package leads.
2. Maximum times of reflow cycle: 2.

**For More Information**

**Corporate Headquarters**

**PulseR, LLC**

**Two Pearl Buck Court**

**Bristol, PA 19007**

**U.S.A.**

**Tel: 215 781 6400**

**Fax: 215 781 6403**

**For Global Sales Representatives and Locations**

**Visit:** <http://www.pulseruggedized.com>

Performance warranty of products offered on this data sheet is limited to the parameters specified. Data is subject to change without notice. Other brand and product names mentioned herein may be trademarks or registered trademarks of their respective owners. © Copyright, 2018.PulseR, LLC. All rights reserved.