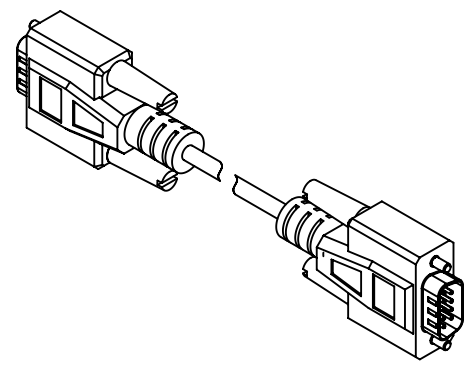
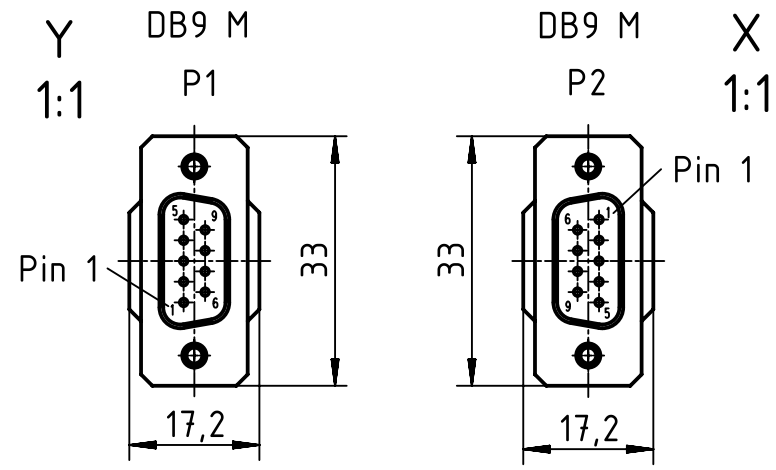
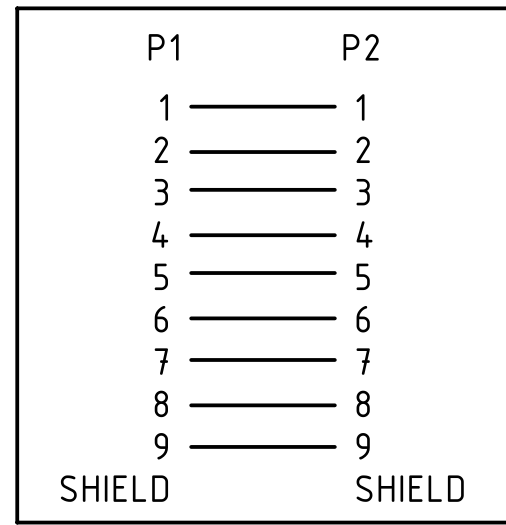


circuit diagram



| | | | | | | |
|---|--|--|--------------------------|----------------------------|--|------------------------|
| | All rights reserved Department EL PD - DE | All Dimensions in mm Original Size DIN A4 | | Scale 1:2 | Free size tol. | Ref. Sub. |
| | | Created by FINKEV | Inspected by BERGHORN | Standardisation RUETERA | Date 2014-12-09 | State Final Release |
| HARTING Electric GmbH & Co. KG D-32339 Espelkamp | | Title Cable SUB-D9,m-m; 2 m | | | Doc-Key / ECM-Nr. 100093538/UGD/003/A 500000082786 | |
| | | Type TB | Number 39 50 903 0010 | | Rev. A | Page 1/1 |